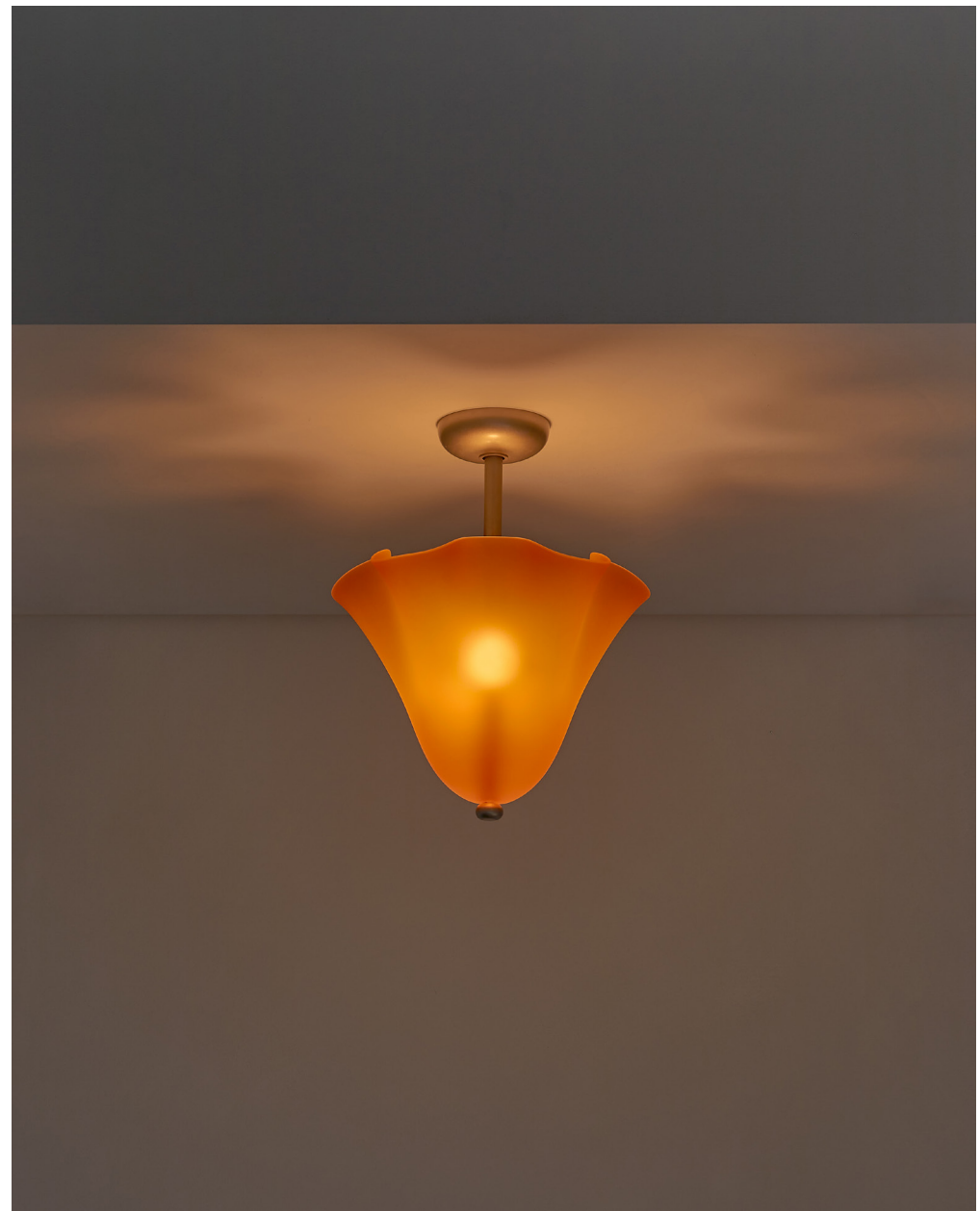


Fazzo Surface Mount  
*Assembly Guide*



**In Common With**

Fazzo Surface Mount

[incommonwith.com](http://incommonwith.com)

Thank you for choosing In Common With. Please confirm that you received all of the components pictured in this guide, and reach out to us if anything is missing. It's rare, but it happens. We hope you enjoy your fixture. With proper care, it should last a lifetime.

Have questions? Please contact us at [support@incommonwith.com](mailto:support@incommonwith.com).



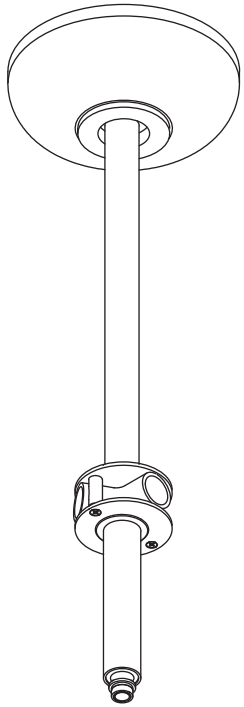
**CAUTION!**

Electrical shock risk. Turn off electrical power at the main fuse box or circuit panel before beginning installation, servicing the light, or installing accessories. We recommend working with a qualified electrician familiar with the type of work you'd like done.

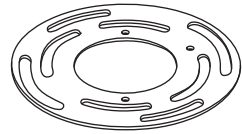
**ATTENTION!**

Risque de choc électrique. Coupez l'alimentation électrique au niveau de la boîte à fusibles principale ou du panneau de circuits avant de commencer l'installation, l'entretien de la lumière ou l'installation d'accessoires. Nous vous recommandons de travailler avec un électricien qualifié familier avec le type de travail que vous souhaitez effectuer.

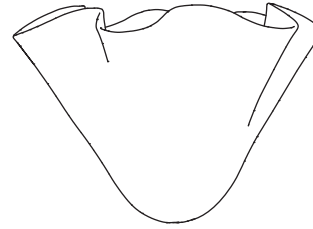
*Components*



Stem + Canopy



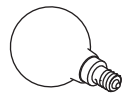
Canopy Backplate



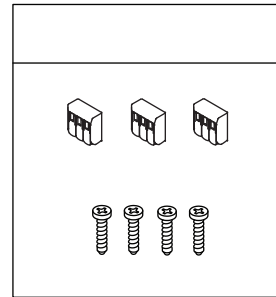
Fazzo Shade



Finial

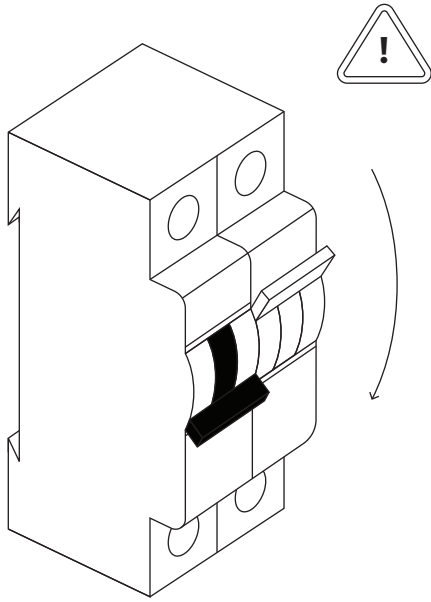


E12 Tala Porcelain I Lightbulb (3)



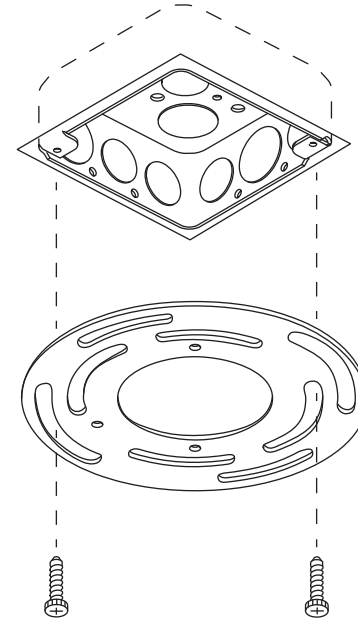
Hardware Pack

### Step 1



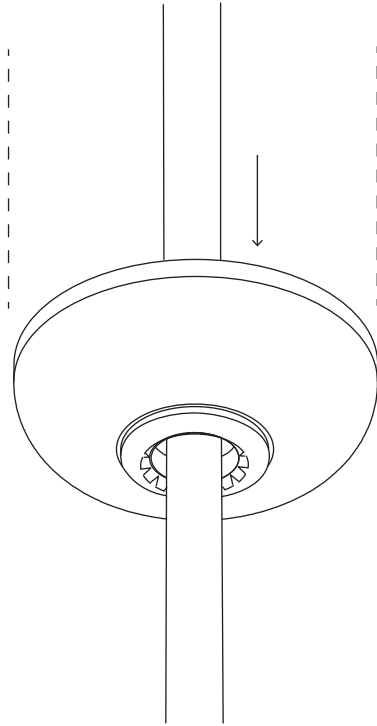
Turn off electrical power at the main fuse box or circuit panel before beginning installation.

### Step 2



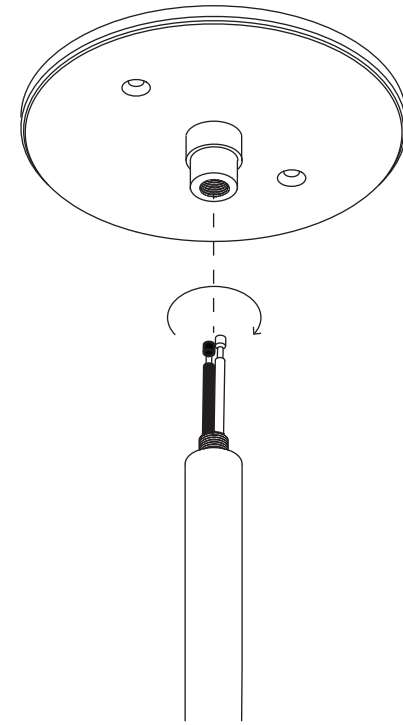
Mount the backplate to the junction box using a phillips head screwdriver to tighten the mounting screws

*Step 3*



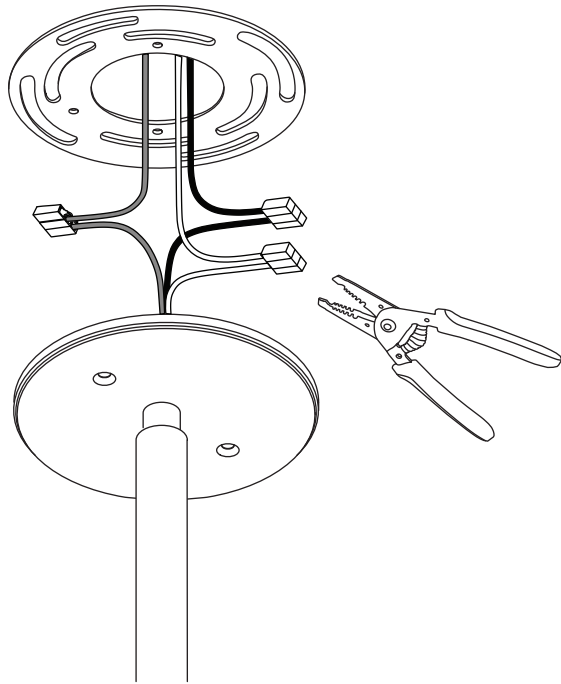
Gently slide the canopy cover down the stem

*Step 4*



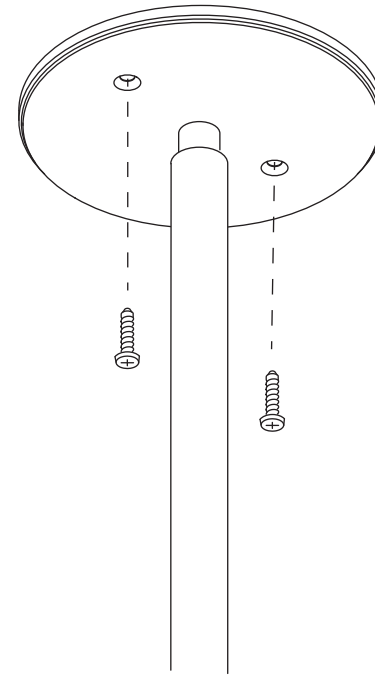
Secure the brass stem to the canopy base. Rotate the stem clockwise to secure firmly in place.

### Step 5



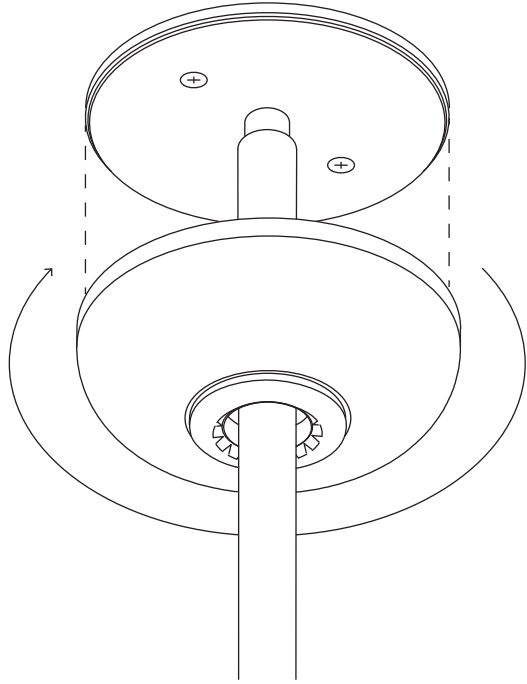
Use the wago clips to connect the fixture's wires to the corresponding wires from the junction box in the wall or ceiling. White is neutral; Black is live; Green/ Yellow is ground. One ground wire will be attached to the backplate, the other ground wire should come from the junction box. If needed use a wire stripper to remove 3/8" of the insulation from each wire before inserting them into the corresponding wago clip.

### Step 6



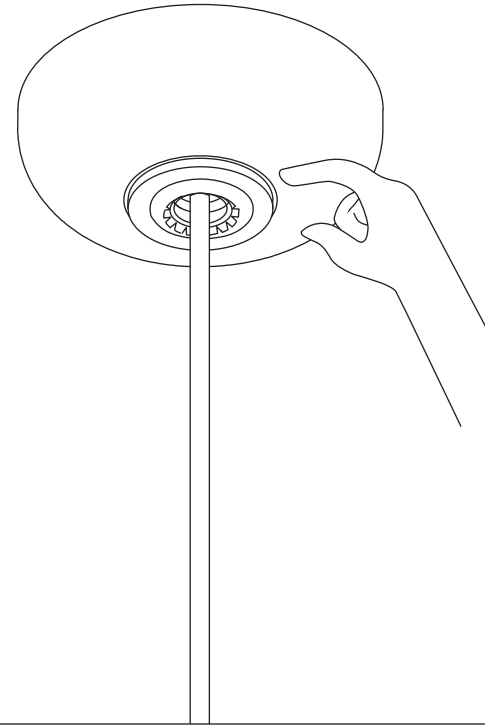
Mount the canopy base into the backplate using a phillips head screwdriver to tighten mounting screws.

*Step 7*



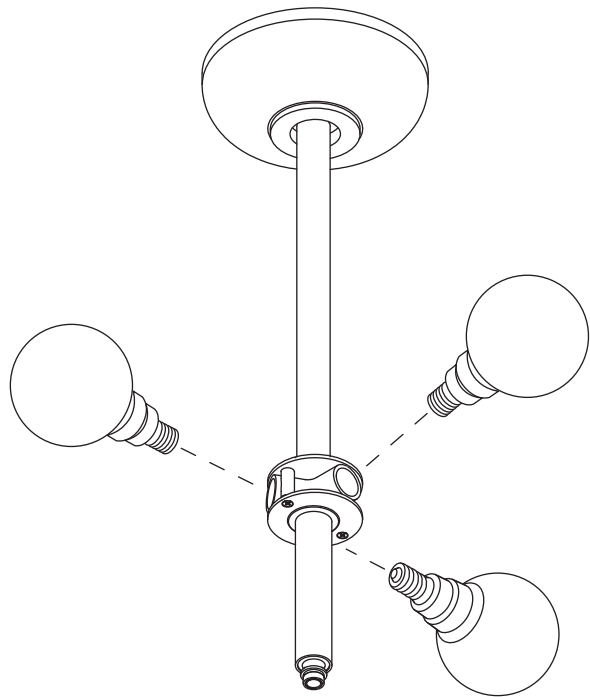
Gently slide the canopy cover back up the stem. Rotate the canopy cover clockwise to secure firmly in place.

*Step 8*



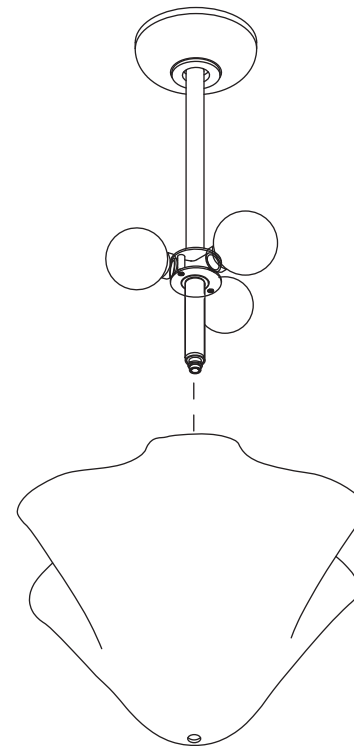
Gently remove the protective paper from the canopy cover on the stem. Discard.

*Step 9*



Screw included bulbs into place.

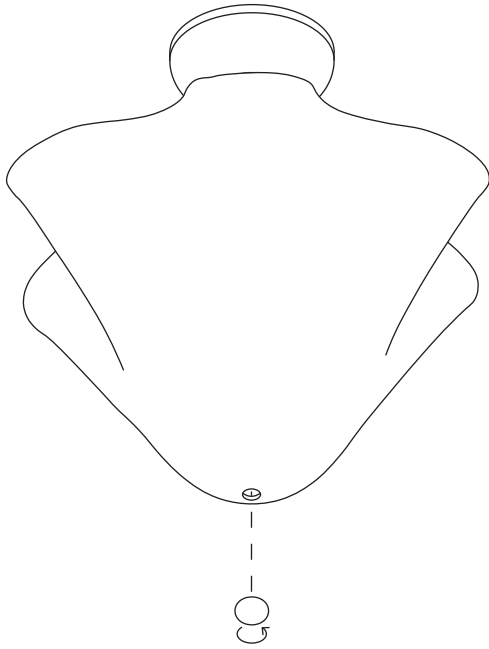
*Step 10*



Carefully feed Fazzo shade onto the end of the stem.

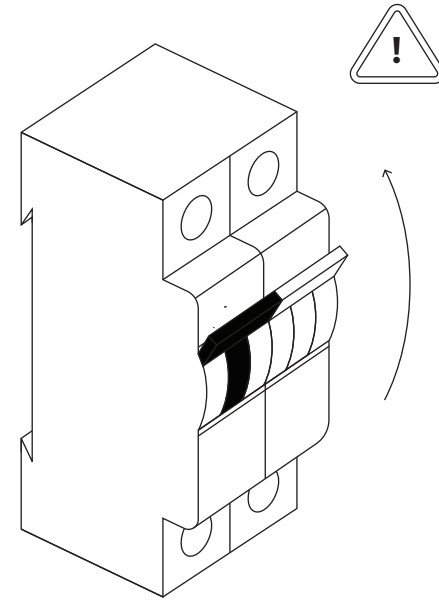


*Step 11*



Screw finial onto stem to secure Fazzo shade in place.

*Step 12*



Turn the power back on at the main fuse box or circuit panel you disabled before installation. Turn on the light :)

## *Care Instructions*

Never use scouring pads or abrasive cleaning solutions. If it comes in a bottle, it is bad for your fixture. Instead, we recommend using soft microfiber cloths, which are gentler on our products and the planet.

For Metal: Wipe with a damp or dry microfiber cloth. Please note that our brass is unlaquered, and will darken naturally over time.

For Glass: Wipe clear or colored glass with a damp microfiber cloth. For sandblasted or etched glass, use a dry microfiber cloth. Removable glass shades can be washed carefully in a sink using warm or hot water.

For Ceramic: Wipe with a damp microfiber cloth. Do not submerge in water.

## *Return Policy*

We accept returns for store credit only, minus a 15% restocking fee. We do not accept returns on pieces from the Handmade, Disc, Terra, or Flora series, on the Ceramic or Colored Glass Up Down Sconces, or on items that are not in their original condition. Custom and Rush orders are final sale. Please note that shipping charges are non-refundable.

To request a return, email [sales@incommonwith.com](mailto:sales@incommonwith.com) within ten days of receiving your order. Requests must be approved before a return can be processed. Requests made after ten days will not be accepted.

All products that come in their own box, including but not limited to light bulbs and accessories, must be returned in their original, undamaged box as this is considered part of the product. Once installed, products are no longer eligible for return.

We reserve the right to reject any returned items that do not meet the above requirements. If your return is rejected you will be notified via email.